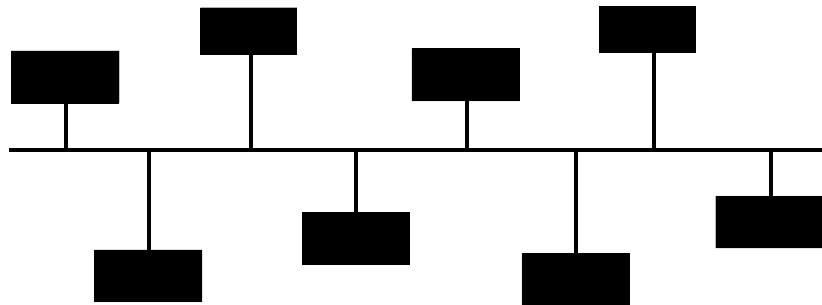


PCI-64A Gateway Interface



Operation and Installation Manual



Revision 1.00
June 2005

PCI-64A Gateway Interface Setup and Operation Manual

PR008 Revision 1.00

This manual covers the setup and operation of the PCI-64A Host Gateway Interface.

Optional CineNet and related equipment is covered in the following product reference manuals:

- PR001 CNA Installation Manual
- PR002 CNA-200 Setup and Operation Manual
- PR003 CNA-150 Setup and Operation Manual
- PR004 CNA-100 Setup and Operation Manual
- PR005 QDC-400 Installation and Setup Manual
- PR006 ACP-50 Installation and Setup Manual
- PR007 RVC-5 Installation and Setup Manual
- PR008 PCI-64 Gateway Interface Installation
- PR009 CineNet Host Software
- PR010 RCM-10/RSM-10/RSM-20 Installation and Operation Manual
- PR011 Strong Dimmer Installation, Setup, and Operation Manual
- PR012 eCNA-100 Automation Manual
- PR013 eCNA-150 Automation Manual
- PR014 eCNA-200 Automation Manual
- PR016 Strong FP350 Installation and Operation Manual
- PR017 Eprad FP350 Installation and Operation Manual
- PR018 Paging system Setup and Installation Manual
- PR019 VNC Setup and Operation Manual
- PR020 CineSuite Installation and Operation Manual

Warranty

CineNet automation products, sold by EPRAD Inc, are warranted against defects in materials and workmanship for one year from the date of purchase. There are no other express or implied warranties and no warranty of merchantability or fitness for a particular purpose.

During the warranty period, EPRAD Inc. will repair or, at its option, replace components that prove to be defective, provided the unit is shipped prepaid to the manufacturer directly or via an authorized distributor. Not covered by this warranty are defects caused by modification, misuse or accidents and any further damage caused by inadequate packing for service return.

EPRAD Inc.'s obligation is restricted to the repair or replacement of defective parts and under no circumstances will EPRAD be liable for any other damage, either direct or consequential.

Information in this document is subject to change without notice. No part of this document may be reproduced or transmitted in any form or by any means, electronic or mechanical, for any purpose, without the express written permission of EPRAD Inc..

Host Network Interface

Features Overview

RS-232 port
LSN port
Power status LED
Rugged and portable housing
Adds Host control and functions to your CINENET™ automation

Package Contents

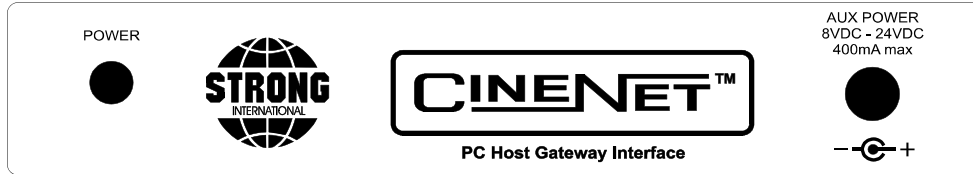
- One PCI-64A Network Gateway Adapter
- One AC Power Adapter
- This Users Guide
- RS-232 Interface Cable

The PCI 64 gateway interface allows the programmer/ technician to interface either a laptop computer or a desktop P.C. with the LSN connection of a CNA. Host software allows configuration and monitoring of the network and its automations. CineSuite software allows the gateway to utilize an ethernet connection for greatly expanded functions. Please see the respective manuals for the software that you plan to use for a full explanation of its features and capabilities.

The PCI-64 Gateway interface is powered by the CNA when using a laptop and the DIN CNA front panel network connection. If the gateway is to be used with the Phoenix style pluggable wiring termination, it must be powered by an external adaptor as the LSN has no voltage source.

External Features

The following illustrations depict the external components of the PCI-64A

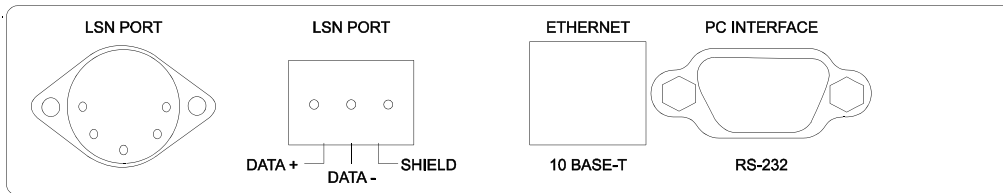


Power (Green) Indicator

This LED indicator lights when the PCI-64A is powered on.

AC Adapter Port

Plug the AC Adapter jack into this port



LSN Port

This is an RS-485 port for making connections to the LSN (Automation Sync Network). The user has a choice of using either the 5 pin DIN cable as featured on the front of the CNA, or the 3 position phoenix style connector.

RJ-45 UTP Port

The PCI-64A is equipped with one RJ-45 UTP port, it is currently unused.

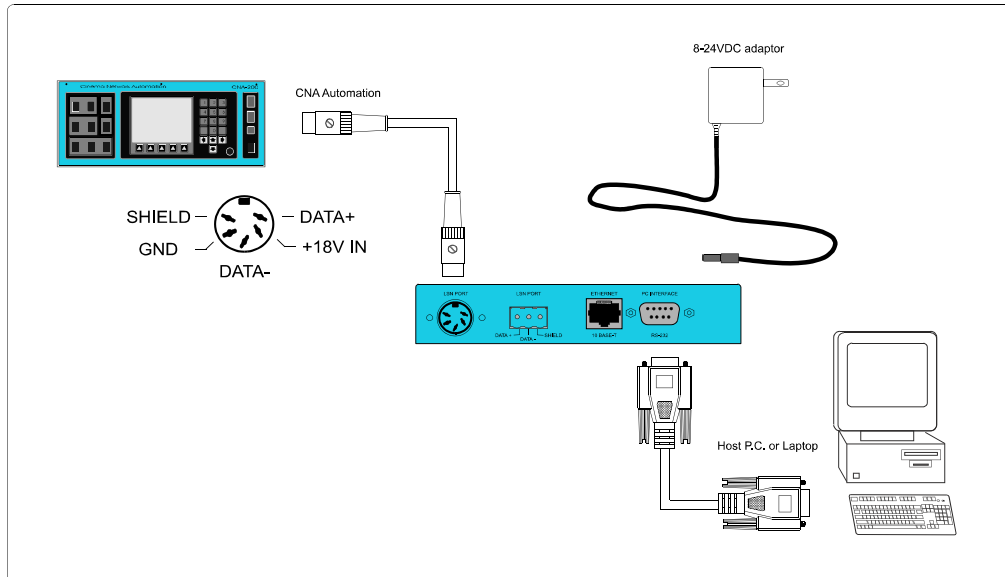
RS-232 Port

This is the RS-232 port that is used to connect the PCI-64A to the Host computer.

Making Network Connections

The PCI-64A is wired as an external Host gateway interface. Connect the RS-232 Port to a serial port on the Host computer with the cable provided. Connect the LSN (Automation network) to the LSN connector on the side panel. Use RS-485 communication cable (Shielded twisted pair: Alpha #6412, Belden #9841 or equivalent).

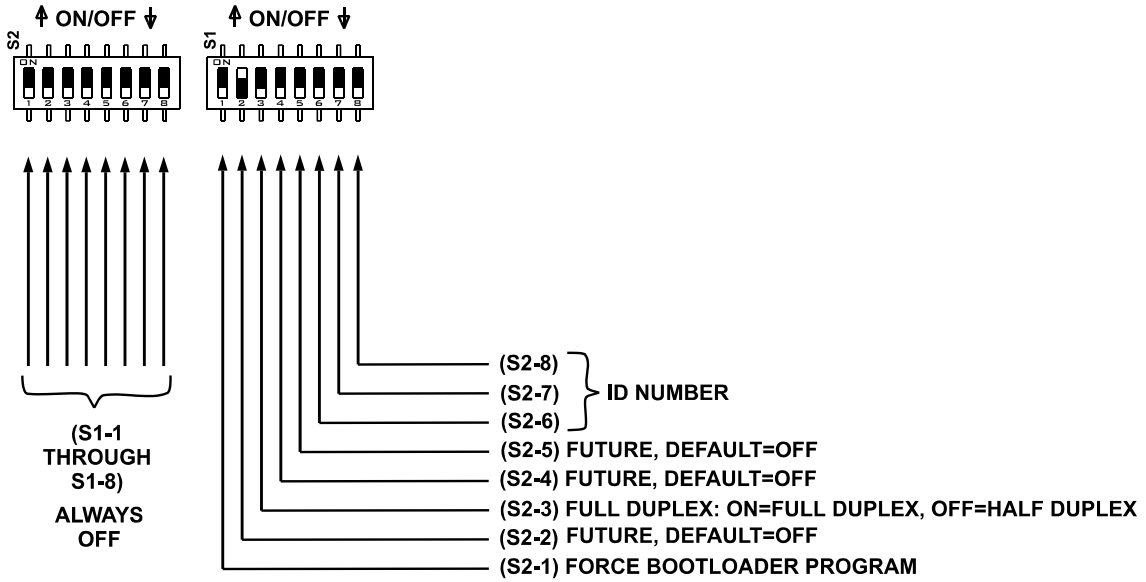
Insure that the PCI-64A and other network devices are in the powered off mode before making the connections.



DIP Switch Settings

You can open the PCI-64A enclosure to configure the DIP switches on the VNC pc board if needed. At some point in the future the unused switch settings may take on new function.

*Switches are shown in default positions



Further Information

It is recommended that the user familiarize themselves with not only this manual, but the Host manual at the very least to ensure that all of the attributes of the PCI-64A and the HOST system as a whole are utilized.

Each network device has its own set of instructions and features to interact with the host. Newer software versions offer new functionality where a simple upgrade can open up a whole new set of features. If you are using an older version of the host software, you may not be getting all of the functionality available from your network. The same holds true for your automations, if their firmware is outdated, the latest version of Host software isn't going to allow your system to achieve its full potential.

The same applies to the CineSuite package, read your manual to make sure you get the full benefit offered by your interface.

Port Settings:

To save the time of trial and error, the Host computer's port configuration procedure is listed here.

When using the DOS Host program:

- Start the Host software, then power up the PCI-64A
- Navigate menu 5 then 1 for Host configuration
- Select the com port number that your PC's terminal program and hardware is using
- Select the IRQ that port uses
- Enter the Gateway ID that you want to use.

You should then be able to see your network devices on the LSN Network status screen (1 then 2 from the main menu)

Replacement Parts:

Below is a listing of replacement parts and their associated part numbers. This list can be used when parts are required for a repair or replacement of damaged or missing components.

| Description | STRONG P/N | OEM P/N |
|-------------------------|------------|---------|
| Gateway Interface board | - | 39460 |
| Power Supply | - | 27106 |
| CNA → PCI-64, DIN cable | - | 39364 |