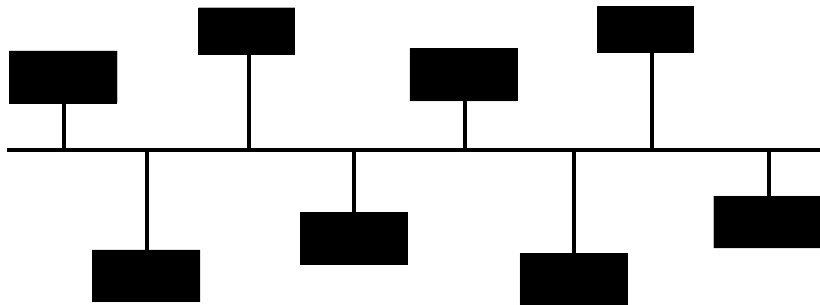


ACP-50



Operation and Installation Manual



Revision 2.00
June 2005

ACP-50

Setup and Operation Manual

PR006 Revision 2.00

This manual covers the setup and operation of the ACP-50 auxiliary control panel.

Optional CineNet and related equipment is covered in the following product reference manuals:

- PR001 CNA Installation Manual
- PR002 CNA-200 Setup and Operation Manual
- PR003 CNA-150 Setup and Operation Manual
- PR004 CNA-100 Setup and Operation Manual
- PR005 QDC-400 Installation and Setup Manual
- PR006 ACP-50 Installation and Setup Manual
- PR007 RVC-5 Installation and Setup Manual
- PR008 PCI-64 Gateway Interface Installation
- PR009 CineNet Host Software
- PR010 RCM-10/RSM-10/RSM-20 Installation and Operation Manual
- PR011 Strong Dimmer Installation, Setup, and Operation Manual
- PR012 eCNA-100 Automation Manual
- PR013 eCNA-150 Automation Manual
- PR014 eCNA-200 Automation Manual
- PR016 Strong FP350 Installation and Operation Manual
- PR017 Eprad FP350 Installation and Operation Manual
- PR018 Paging system Setup and Installation Manual
- PR019 VNC Setup and Operation Manual
- PR020 CineSuite Installation and Operation Manual

Warranty

CineNet automation products, sold by STRONG INTERNATIONAL, are warranted against defects in materials and workmanship for one year from the date of purchase. There are no other express or implied warranties and no warranty of merchantability or fitness for a particular purpose.

During the warranty period, STRONG INTERNATIONAL will repair or, at its option, replace components that prove to be defective, provided the unit is shipped prepaid to the manufacturer directly or via an authorized distributor. Not covered by this warranty are defects caused by modification, misuse or accidents and any further damage caused by inadequate packing for service return.

STRONG INTERNATIONAL's obligation is restricted to the repair or replacement of defective parts and under no circumstances will STRONG INTERNATIONAL be liable for any other damage, either direct or consequential.

Information in this document is subject to change without notice. No part of this document may be reproduced or transmitted in any form or by any means, electronic or mechanical, for any purpose, without the express written permission of STRONG INTERNATIONAL.

© 1997 - 2005 STRONG INTERNATIONAL. All rights reserved.

Reference:

Product Description 1

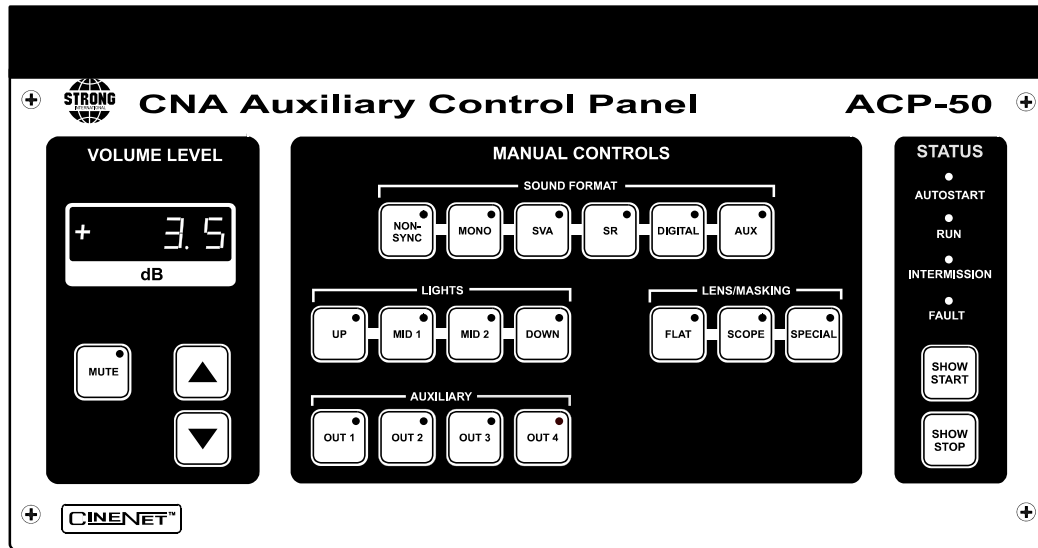
status conditions 2

Installation 3

Operation 4

Product Description

The ACP-50 Auxiliary Control Panel is designed to provide remote control of Sound and Picture format, Volume and Auditorium Lighting. The panel also provides show status including autostart, show running, intermission and faults. Up to two ACP-50 panels can be connected to the CNA automation at one time. See the front panel drawing below for a complete description of the functions.



- 1) **Volume Level** - Displays the master volume level.
- 2) **▲▼ (UP/DOWN Volume Control)** - Changes the volume level in 0.1 dB steps. Press and hold to ramp volume to desired level.
- 3) **Mute** - Press to enable mute output on Booth termination board. Press again to return volume to previous format. LED lights to indicate mute is activated.
- 4) **Sound** - Non-Sync, Mono, SVA, SR, Digital, Aux. Press to select desired format. LED will light to indicate current selection.
- 5) **Lights** - Up, Mid 1, Mid 2, Down. Press to select desired light state. LED will light to indicate current selection.
- 6) **Lens/Masking** - Flat, Scope, Special. Press to select desired film format. LED will light to indicate current selection.
- 7) **Auxiliary** - Out 1, Out 2, Out 3, Out 4. These switches are used in conjunction with auxiliary output board.

8) **Status** - Displays the current status of the CNA automation.

Autostart LED (yellow) (CNA-200 only)

on show is *ready to run* and is in *timed* or *clock start* mode.

off show is *in progress* or in *manual start* mode.

Run LED (green)

on projector motor is running.

blinking show is *ready to run* or *ready to resume*.

off show is stopped.

Intermission LED (yellow)

on between shows.

blinking show is stopped not due to a fault. (This includes a programmed intermission.)

off projector motor is running or show is stopped due to a fault.

Fault LED (red)

on show is stopped due to a fault and alarm has been cancelled or show is not running and failsafe does not detect the presence of film.

blinking show is stopped due to a fault and alarm is sounding.

off fault does not exist.

9) **Start** - Press this switch to start or resume a show. (If S1-2 is enabled)

10) **Stop** - Press this switch to stop a show or cancel a *timed* or *clock start* operation. (If S1-2 is enabled)

The table below summarizes the eight status conditions displayed by the remote station.

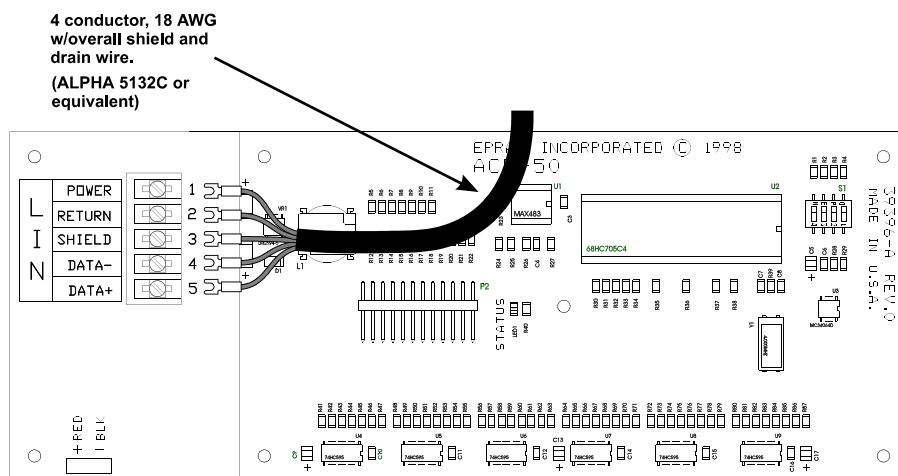
	READY TO RUN IN AUTOSTART MODE	READY TO RUN IN MANUAL START MODE	SHOW RUNNING	READY TO RUN DURING A PROGRAMMED INTERMISSION	READY TO RESUME	BETWEEN SHOWS & FAILSAFE FAULT	SHOW STOPPED DUE TO A FAULT & ALARM IS SOUNDING	SHOW STOPPED DUE TO A FAULT & ALARM HAS BEEN CANCELLED
AUTOSTART	ON	OFF	OFF	OFF	OFF	OFF	OFF	OFF
RUN	BLINK	BLINK	ON	BLINK	BLINK	OFF	OFF	OFF
INTERMISSION	ON	ON	OFF	BLINK	OFF	ON	OFF	OFF
FAULT	OFF	OFF	OFF	OFF	OFF	ON	BLINK	ON

The ACP-50 works in conjunction with the RVC-10 Volume Control Board to provide remote volume control. The 3-1/2 digit LED display indicates the master volume level with a range of -80.0 dB to +20.0 dB. Pressing the ▲ or ▼ keys will change the volume in 0.1 dB steps. Press and hold a volume control key for more than 1 second and the volume will ramp exponentially until the key is released.

The ACP-50 connects to the Local I/O Network (LIN) of the CNA-100 or CNA-200 Automation. The panel can be mounted almost anywhere in the auditorium or projection booth. The ACP-50 is available in two versions. The auditorium version features a locking front cover to prevent unauthorized use or tampering. Typically this version will be mounted on the wall in the rear of the auditorium. The booth version features a wall mount bracket that is adjustable at various viewing angles. The booth version can be mounted on the wall near the port window. This allows the operator to simultaneously make adjustments to the presentation while viewing the auditorium.

Installation

- 1) Remove the four screws from the front panel and carefully remove the front panel assembly from the cabinet.
- 2) Remove one of the two knockouts from the cabinet and secure the cabinet to the wall using appropriately sized threaded hardware and washers.
- 3) Attach the five conductors of the LIN cable to the appropriate termination on the ACP-50 termination board. Do not mount the front panel to the cabinet yet.



LIN Cable Specifications: 2 twisted pair, 18 AWG with overall shield and drain wire. Use Alpha #5132C or equivalent.

- 4) Be sure the other end of the LIN cable is connected to the CNA termination board. Note: LIN devices must be connected in a daisy-chained fashion.
- 5) Power up the CNA automation and observe the Status LED on the ACP-50 pc board. It should be blinking rapidly. This indicates that the ACP-50 and CNA Automation are communicating properly.

Note: If the unit does not power up, re-check the wiring. If wiring is correct, check the LIN power fuse in the CNA automation.

- 6) Turn power off at the CNA automation and finish assembling the ACP-50.
- 7) Again, power up the CNA automation and test the operation of the ACP-50 panel.

DIP Switch Settings: There is a four position DIP switch (S1) on the ACP-50 pc board. These switches are defined as follows:

- S1-1 ; This sets the Id number. OFF - Id is 10; ON - Id is 11
- S1-2 ; This enables the Start and Stop keys. OFF - disabled; ON - enabled
- S1-3 ; Undefined
- S1-4 ; Undefined

Operation

At power up, the ACP-50 displays the messages in the following order:

- PUP ; This indicates a power up reset
- 1 ; This is the software version number
- 13 ; This is the checksum number

Note: If these messages are not displayed on power up, consult the factory.

If the optional RVC-10 Volume Control board is not connected, the Volume LED display will remain off.

In order for the ACP-50 to work with the CNA-200, it must have software version 1.011 or higher. This version of CNA-200 software adds an additional screen to the main menu. This is the “Manual Control” screen. This screen allows manual control of the Sound, Lens, Masking, Lights and Volume. If the RVC-10 is not connected, the Volume field will display .0dB and cannot be changed.

Also note that the LIN Network screen will display the ACP-50 device as Id #10 or #11.

Replacement Parts

Below is a listing of the major components for the ACP-50. The technician or equipment owner will find this information helpful when ordering replacement parts in the event of a component failure or damage to the unit.

Part Description	STRONG P/N	OEM P/N
Touch Panel Overlay		39391
ACP-50 Main circuit board		39396

Other parts available upon request, contact STRONG International with your needs.